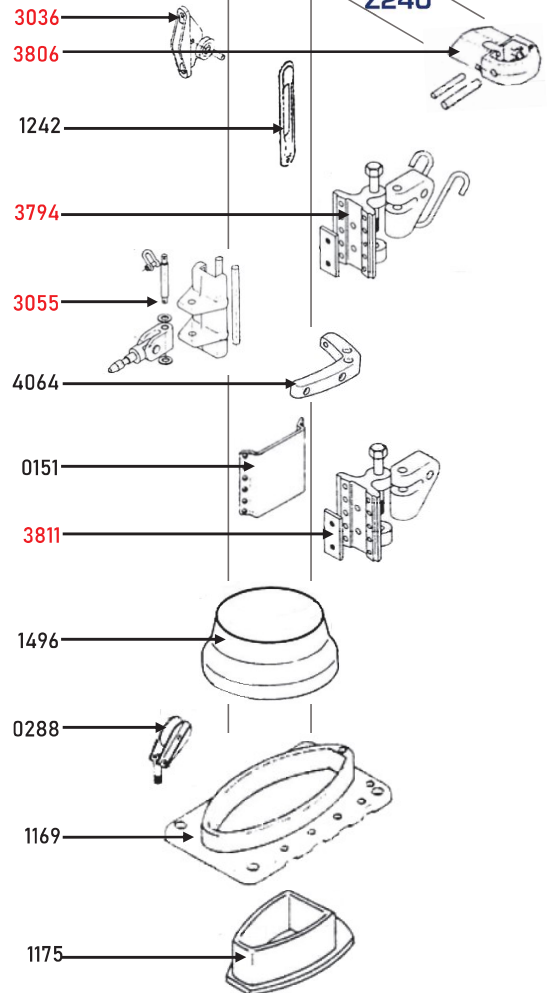
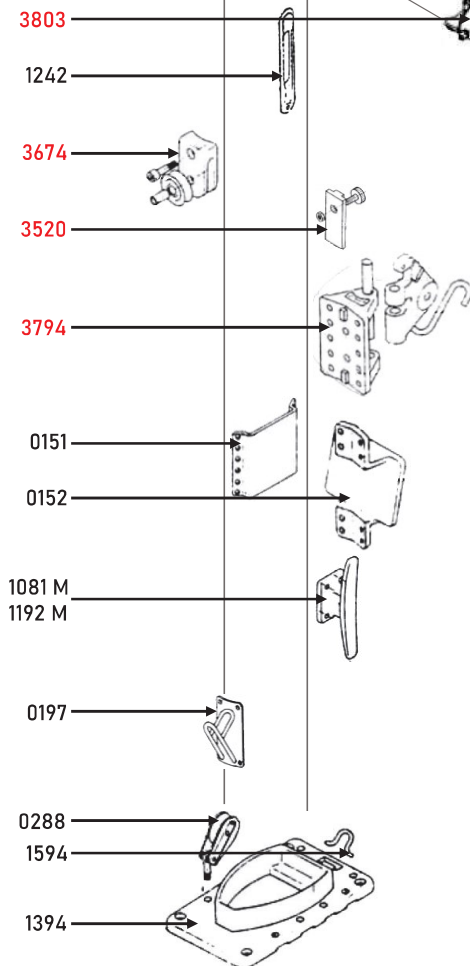
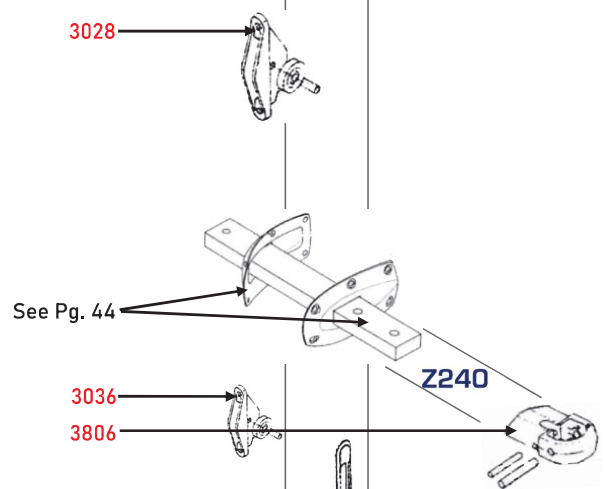
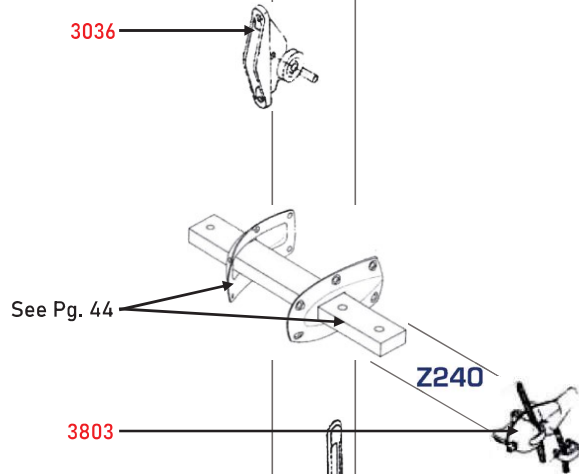
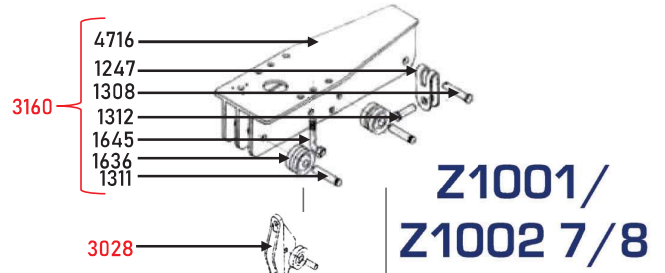
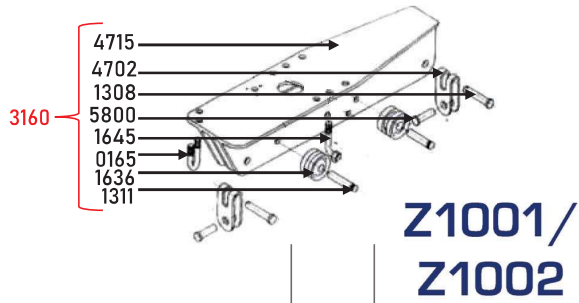


Mast Sections



Red = Assembly P = Plastic M = Metal Ø = Diameter