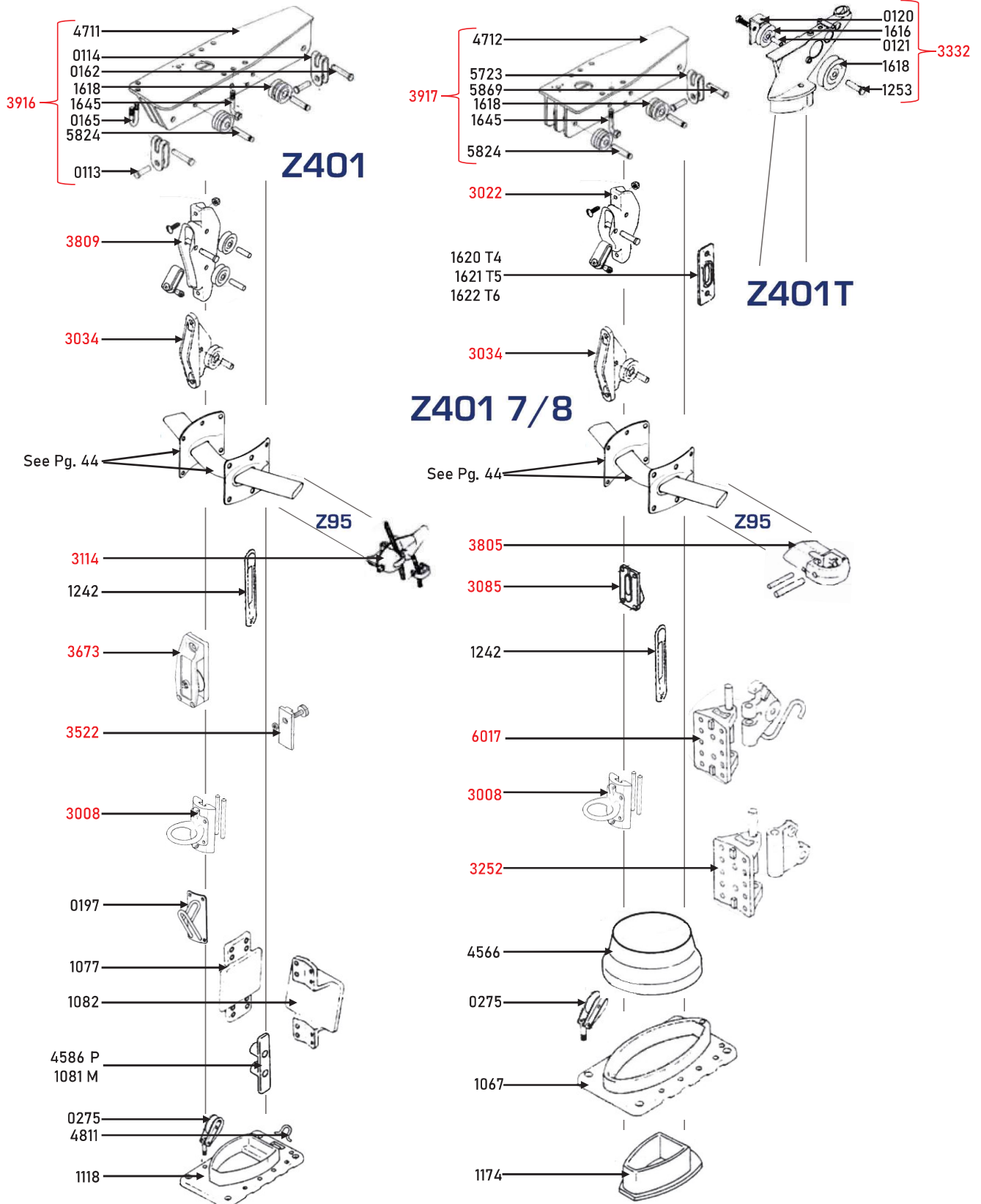


# Mast Sections



Red = Assembly      P = Plastic      M = Metal      Ø = Diameter