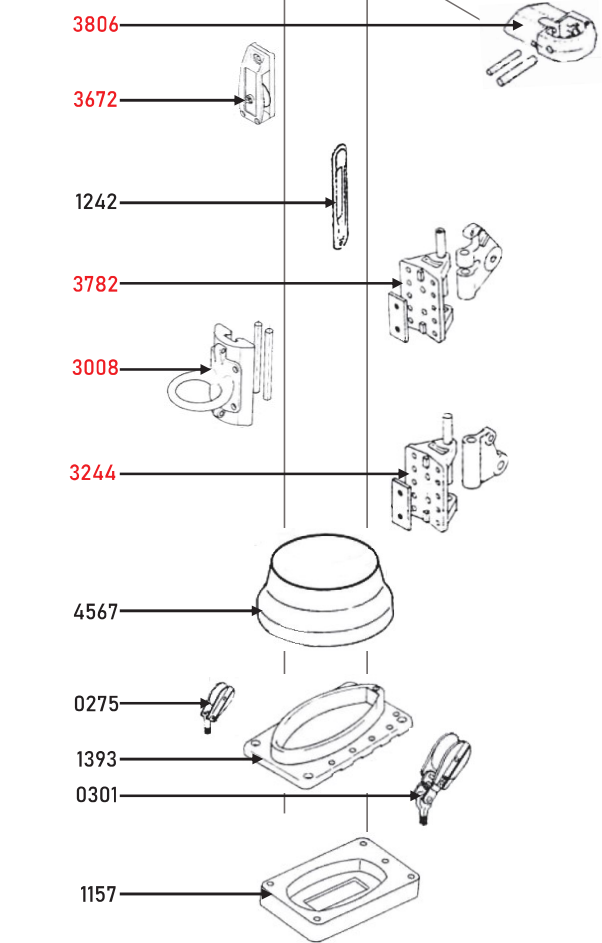
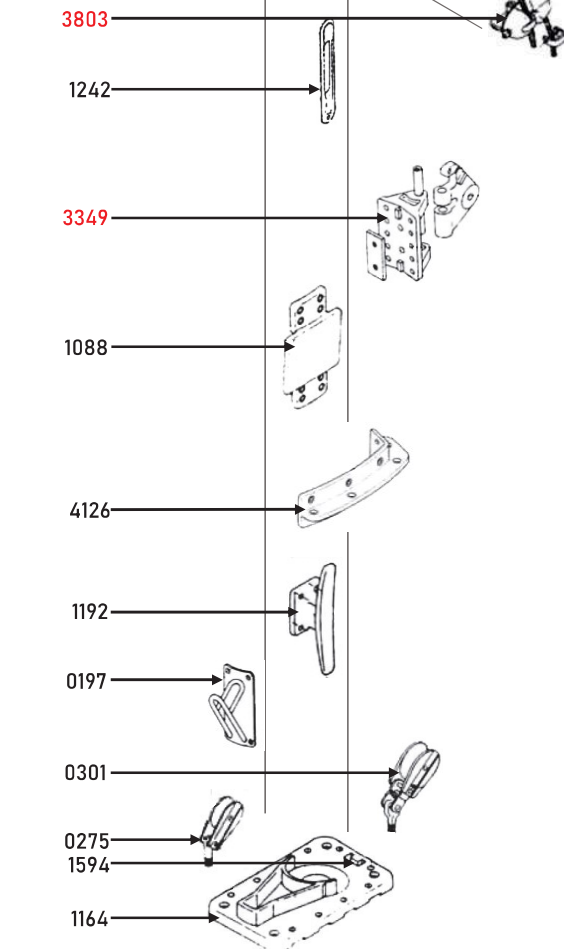
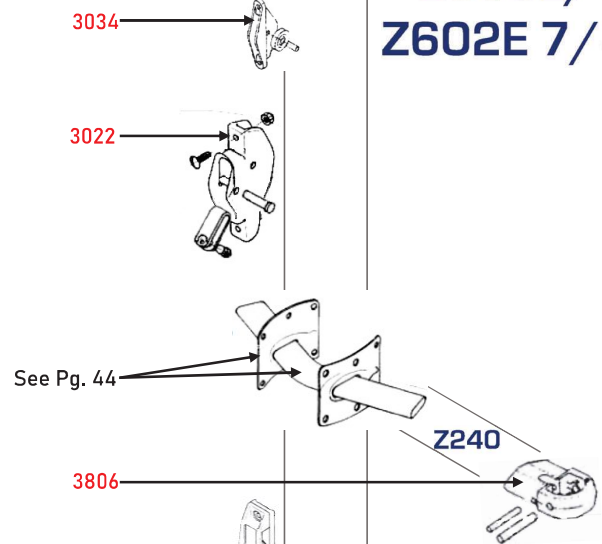
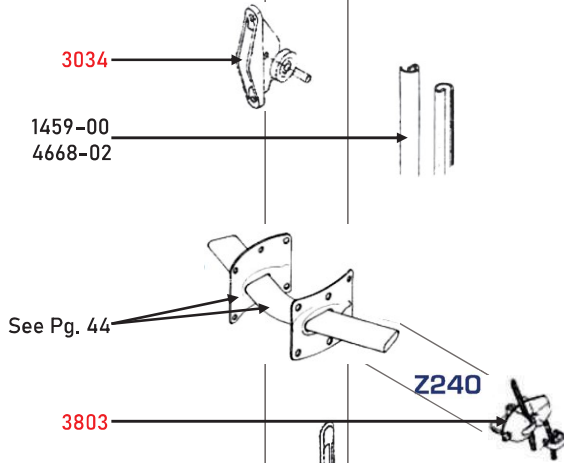
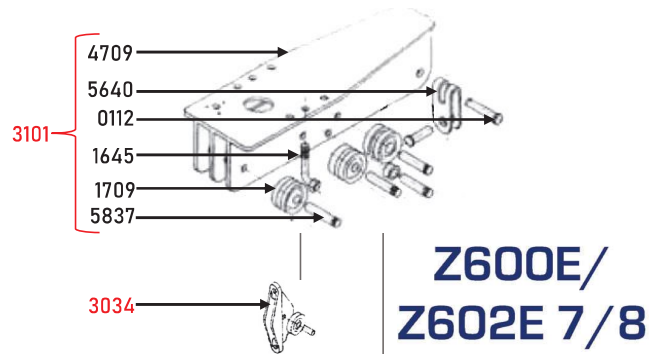
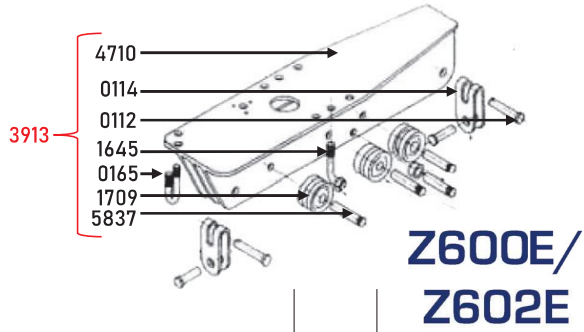


# Mast Sections



Red = Assembly    P = Plastic    M = Metal    Ø = Diameter