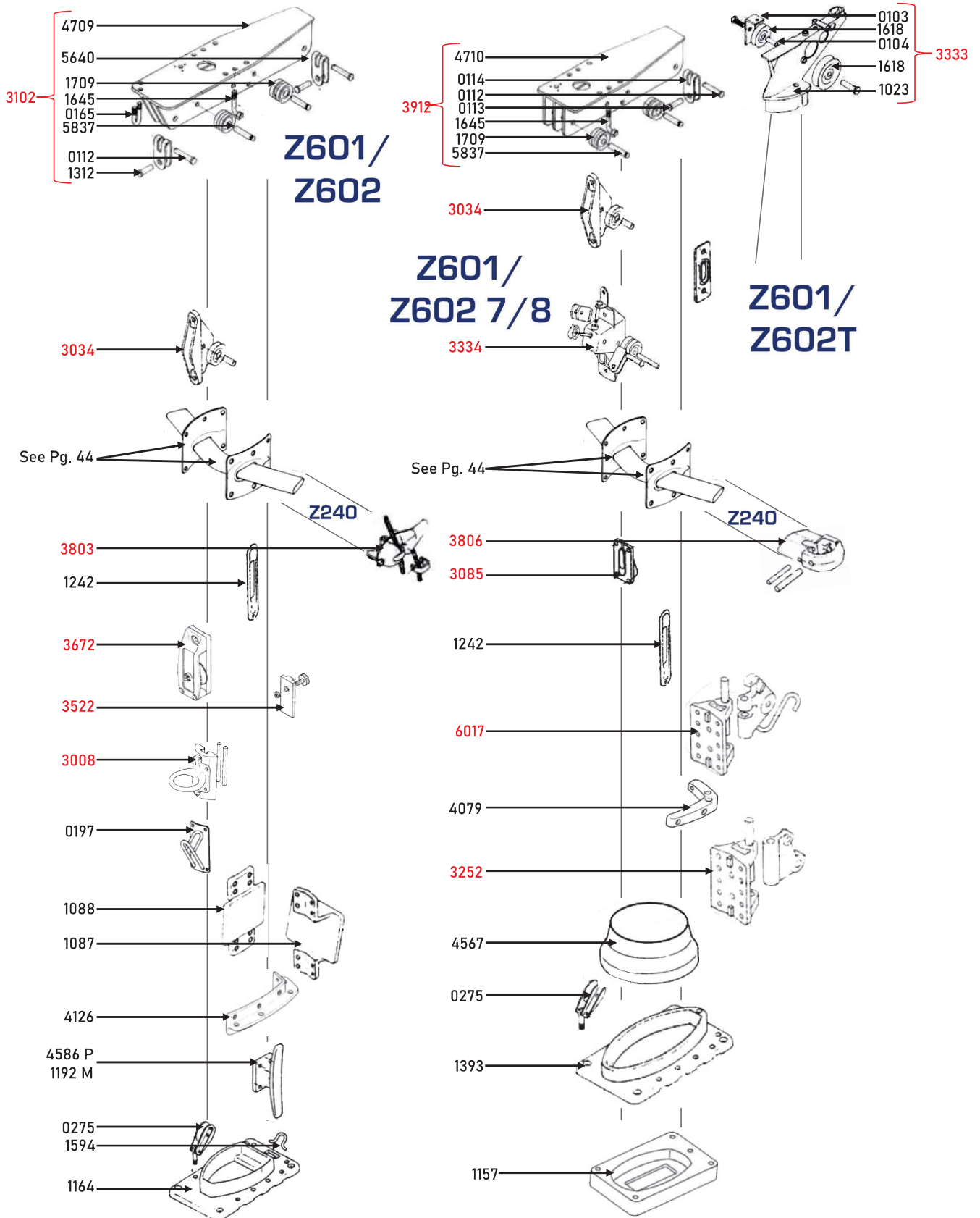


Mast Sections



3102

3912

3333

**Z601/
Z602**

**Z601/
Z602 7/8**

**Z601/
Z602T**

See Pg. 44

See Pg. 44

Red = Assembly P = Plastic M = Metal Ø = Diameter